

D

D

C

C

B

B

A

A

8

7

6

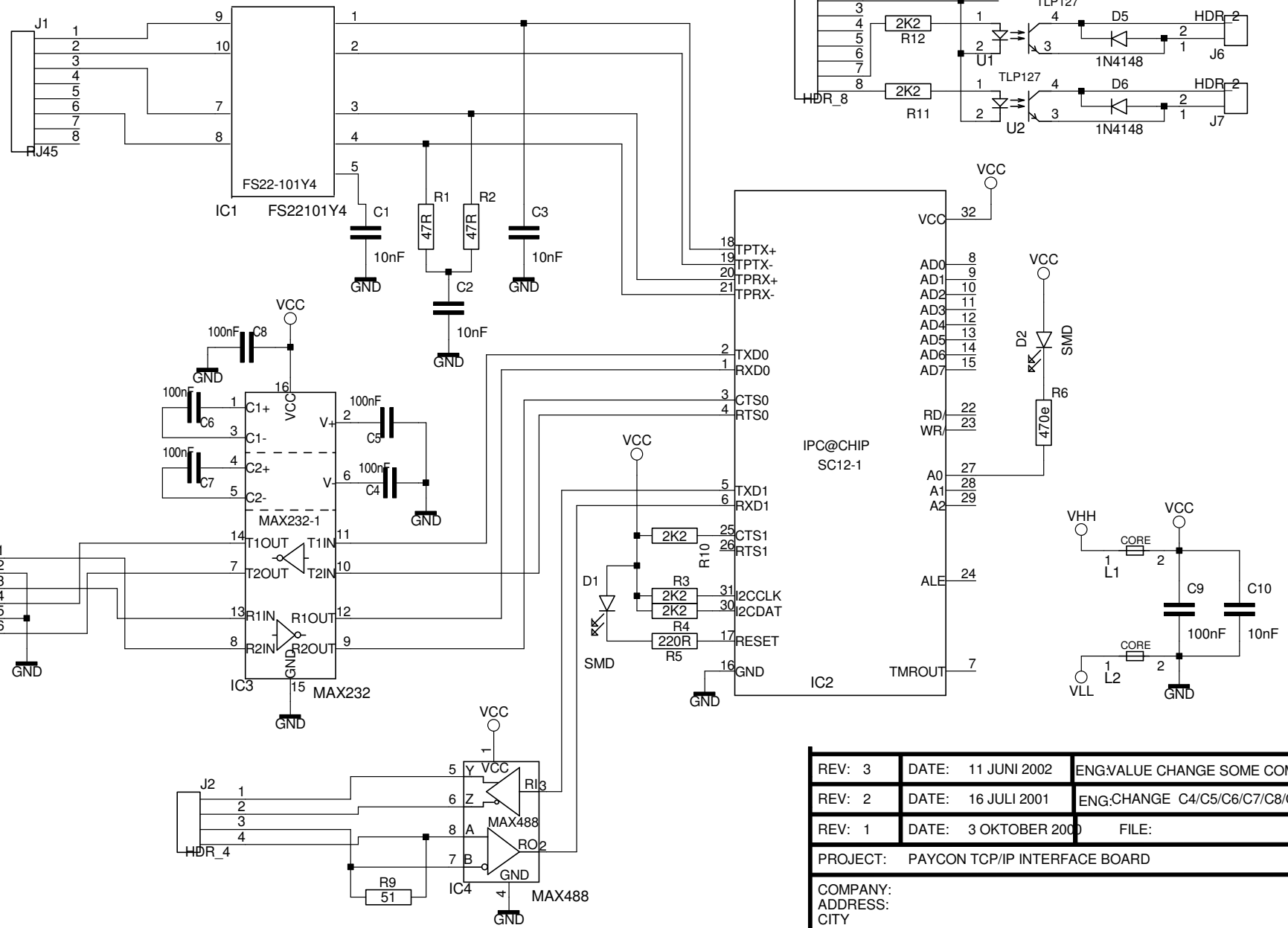
5

4

3

2

1



REV: 3	DATE: 11 JUNI 2002	ENG:VALUE CHANGE SOME COMPONENTS
REV: 2	DATE: 16 JULI 2001	ENG:CHANGE C4/C5/C6/C7/C8/C9
REV: 1	DATE: 3 OKTOBER 2000	FILE:
PROJECT: PAYCON TCP/IP INTERFACE BOARD		
COMPANY: ADDRESS: CITY: COUNTRY: NL		
DATE: 3 OKTOBER 2000	PAGE: 1	OF: 1

8

7

6

5

4

3

2

1